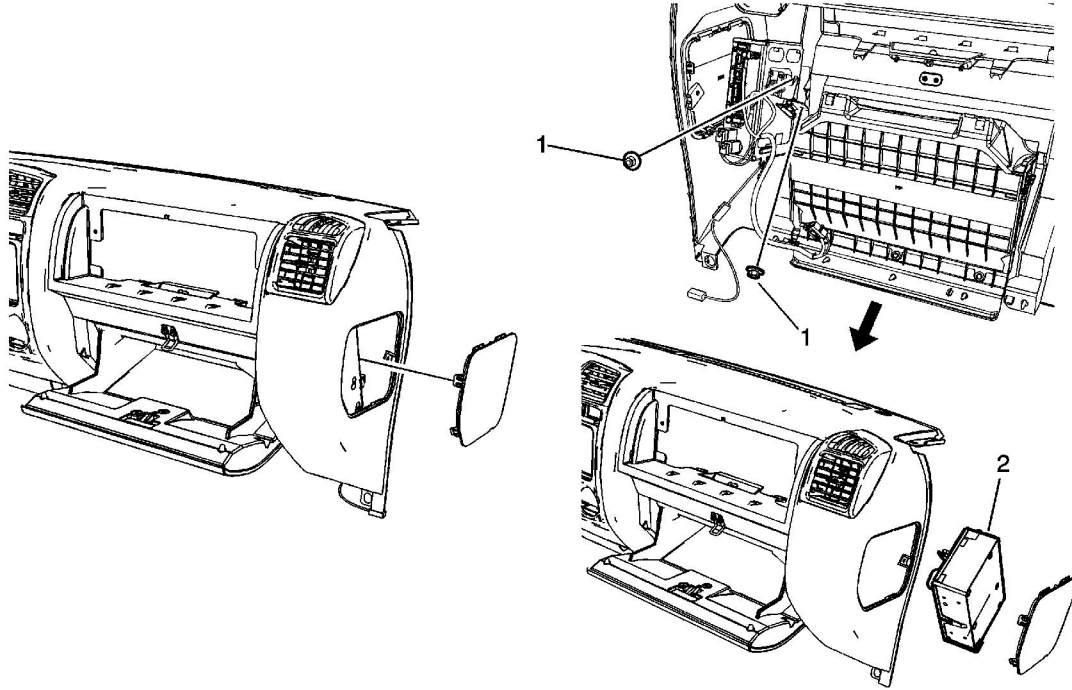


Communication Interface Module Replacement



Callout	Component Name
Preliminary Procedures 1. Remove the service panel located on the right side of the instrument panel (I/P). 2. Open the glove compartment assembly past the stops.	
1	Communication Interface Module Nut (Qty: 2) Notice: Refer to Fastener Notice in the Preface section. Tighten 9 N·m (80 lb in)
2	Communication Interface Module Procedure 1. Disconnect all electrical connections including the antenna connections. 2. Feed the module through the access hole.